

MUIDERZAND
SUCTION DREDGER

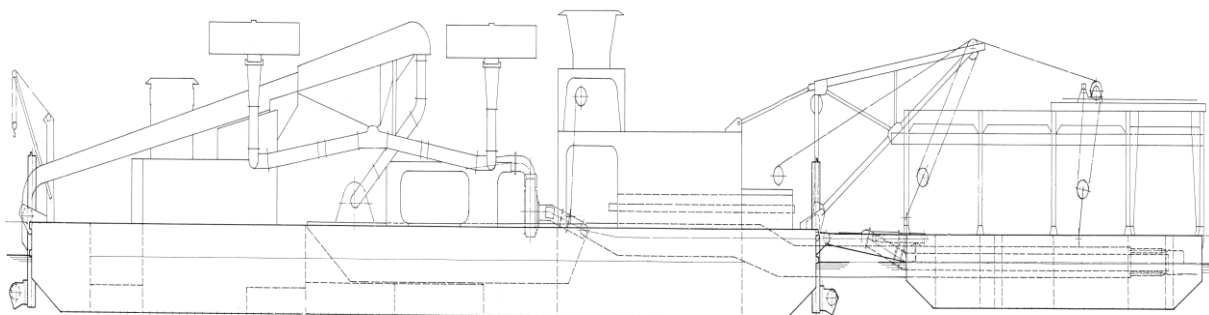


| CONSTRUCTION / CLASSIFICATION | |
|--------------------------------------|---------------------------------------|
| Built by | Machinefabriek Baan Hofman, Gorinchem |
| Year of Construction | 1965 |
| Classification | Service de port |

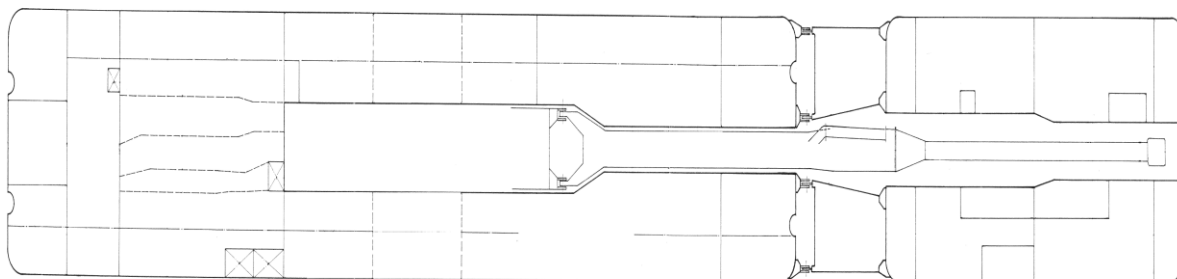
| FEATURES | |
|---|--|
| A Suction dredger designed for the deep extraction and discharging of sand. | |
| Manoeuvrable using six anchors. | |
| Dual discharge pipes for loading of barges both starboard and port. | |

| MAIN DATA | |
|-----------------------|-----------------------------|
| Weight | 262 t |
| Length pontoon | 67 m |
| Breadth pontoon | 9.8 m |
| Draught depth | 2.07 m |
| Capacity | 2.000 m ³ /h |
| Total installed power | 1.737 kW |
| Main engines | 1 x 1.400kW |
| Anchoring system | six anchors with wire spuds |
| Suction pipe diameter | 0.6 m |
| Max. suction depth | 60 m |
| Min. suction depth | 4 m |

MUIDERZAND
SUCTION DREDGER



SIDE VIEW



TOP VIEW
